



TOWN OF WHITEHALL WEST  
201710270068180

SUMMIT AVIATION INC  
12911  
20040808052746  
20100706034841

SUMMIT CENTER  
PER RES NO 09-165  
200608190006919

MT PLEASANT TRAILER PARK  
MT PLEASANT TR PK  
7123  
20071118008793

LOCKWOOD SUBD  
1923

SUMMIT CROSSING PHASE 1  
2007100609457  
200308240071259

SUMMIT CROSSING PHASE 2  
20071112008793

DUPONT SUBD  
6077

SUMMIT VILLAGE SHOPPING CENTER  
14279

SHOPPES OF MT PLEASANT  
2000022001015  
2010070000040

451 BOYDS CORNER ROAD  
20190229008239

WOOLEYHAN SUBD  
9605

SARTIN SUBD  
1947

WOOLEYHAN SUBD  
9605

VADALA SUBD  
2858

BOYDS CORNER RD

SARTIN SUBD  
1212

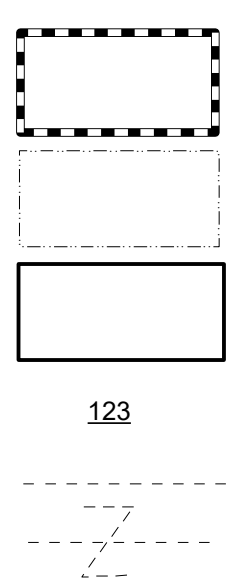
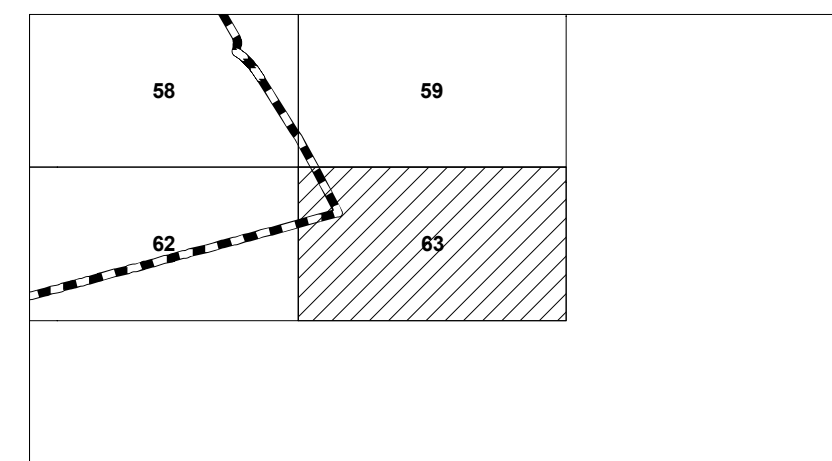
CHURCHTOWN RD

MARSH SUBD  
1947 5374

DUTTON SUBD  
2429

WHISPERING WOODS RD

RAUSCH SUBD  
4009



- LEGEND**
- CORPORATE LIMIT LINE
  - HYDROLOGY LINE
  - PARCEL LINE
  - 123 PARCEL NUMBER
  - LOT LINE
  - PARCEL HOOK

THIS MAP IS PREPARED FOR ASSESSMENT PURPOSES ONLY, AND IS NOT TO BE USED FOR ENGINEERING OR SURVEYING PURPOSES.

AERIAL PHOTOGRAPHY PROVIDED FOR INFORMATIONAL PURPOSES ONLY. DATE OF PHOTOGRAPHY SPRING 2019.

**NEW CASTLE COUNTY, DE OFFICIAL TAX MAP**

GRID BASED ON THE DELAWARE STATE PLANE COORDINATE SYSTEM

HUNDRED - 11

PENCADER

MAP NO: 63

PRINTED JANUARY 14, 2021

THIS MAP IN WHOLE OR IN PART MAY NOT BE PRODUCED IN ANY FORM OR BY ANY MEANS WITHOUT WRITTEN PERMISSION OF THE DEPARTMENT OF LAND USE OF NEW CASTLE COUNTY