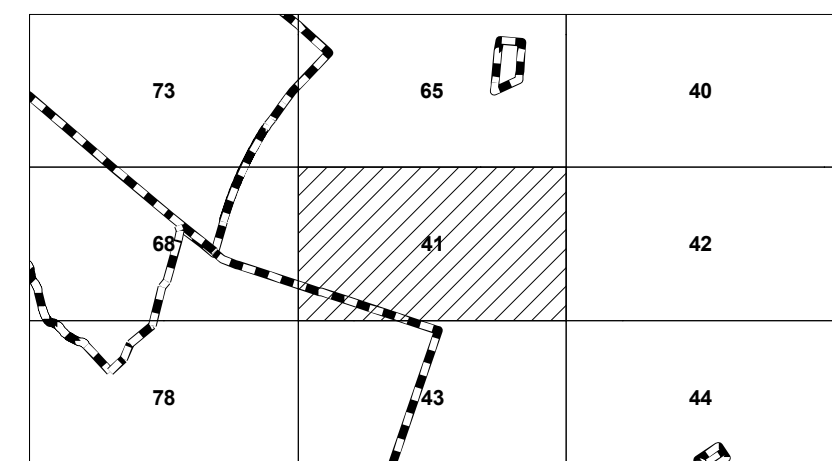


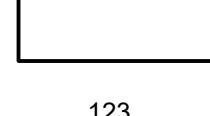
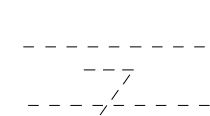





**MIDDLETOWN LEVELS BUSINESS PARK**

200406230068911	200601260009127	200801300006537
200508110079862	200601260009130	200906120037568
200509290099706	20040210038201	200906120037569
200512060126225	200606190057826	200908200054775
200512060126227	200612010112940	201103140014105
200512160129838	200701300009997	201303290033888
200702020011628	200704190035743	201401180002036
201406250026498	201603310014860	201901250006494
	201901250006495	



- LEGEND**
-  CORPORATE LIMIT LINE
  -  HYDROLOGY LINE
  -  PARCEL LINE
  -  PARCEL NUMBER
  -  LOT LINE
  -  PARCEL HOOK

THIS MAP IS PREPARED FOR ASSESSMENT PURPOSES ONLY, AND IS NOT TO BE USED FOR ENGINEERING OR SURVEYING PURPOSES.

AERIAL PHOTOGRAPHY PROVIDED FOR INFORMATIONAL PURPOSES ONLY. DATE OF PHOTOGRAPHY SPRING 2019.

**NEW CASTLE COUNTY, DE OFFICIAL TAX MAP**

GRID BASED ON THE DELAWARE STATE PLANE COORDINATE SYSTEM

TOWN - 23

MIDDLETOWN

MAP NO: 41

PRINTED JANUARY 4, 2021

THIS MAP IN WHOLE OR IN PART MAY NOT BE PRODUCED IN ANY FORM OR BY ANY MEANS WITHOUT WRITTEN PERMISSION OF THE DEPARTMENT OF LAND USE OF NEW CASTLE COUNTY