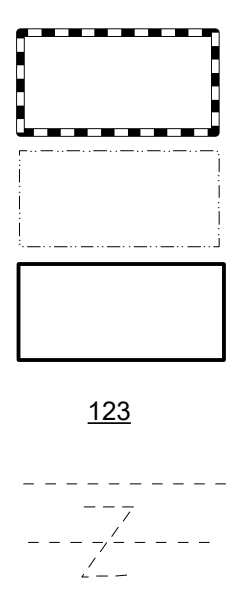
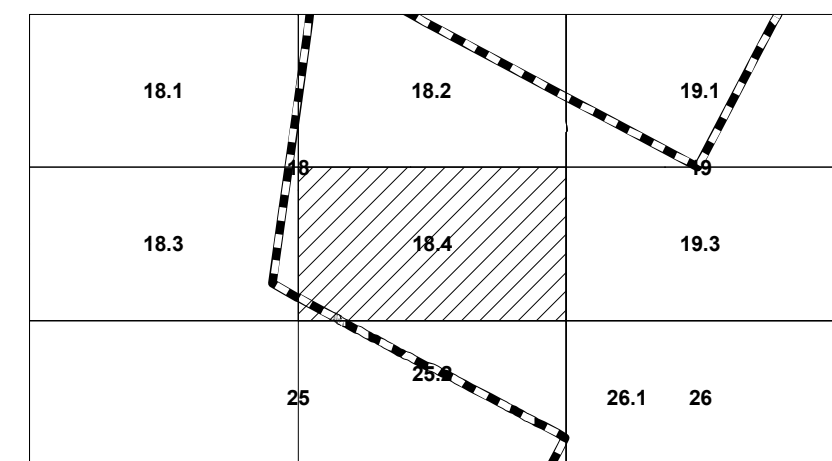


WILMINGTON HIGH SCHOOL



- LEGEND**
- CORPORATE LIMIT LINE
 - HYDROLOGY LINE
 - PARCEL LINE
 - PARCEL NUMBER
 - LOT LINE
 - PARCEL HOOK

THIS MAP IS PREPARED FOR ASSESSMENT PURPOSES ONLY, AND IS NOT TO BE USED FOR ENGINEERING OR SURVEYING PURPOSES.

AERIAL PHOTOGRAPHY PROVIDED FOR INFORMATIONAL PURPOSES ONLY. DATE OF PHOTOGRAPHY: SPRING 2021.

NEW CASTLE COUNTY, DE
OFFICIAL TAX MAP

GRID BASED ON THE DELAWARE STATE PLANE COORDINATE SYSTEM

0 25 50 Feet

CITY - 26

WILMINGTON

MAP NO: **18.4**

PRINTED OCTOBER 25, 2021

THIS MAP IN WHOLE OR IN PART MAY NOT BE PRODUCED IN ANY FORM OR BY ANY MEANS WITHOUT WRITTEN PERMISSION OF THE DEPARTMENT OF LAND USE OF NEW CASTLE COUNTY